

# UNITY LAUNDRY SYSTEMS MODEL UTS40B

ON-PREMISE LAUNDRY  
HIGH EFFICIENCY SOFT MOUNT  
WASHER EXTRACTOR

**Easy To Use Controls**  
with an intuitive design and  
multi-lingual support

**Convenient Manual Dispenser**  
with an easy to flush design and four compartments: pre-wash and  
main wash (powder or liquid), bleach and fabric softener (liquid only)

**5 Chemical Injection  
Ports**  
for compatibility with  
any external  
automatic chemical  
dosing system

**Emergency Stop**  
for operator safety

**Perfectly Tuned  
Extract Performance**  
with optimally  
designed RPMs and  
G-forces to achieve  
max extraction and to  
prevent unbalanced  
loads

**Built For A Long Life**  
including a stainless-steel drum  
and tub, high quality bearings,  
UL certified critical components,  
a durable motor and the ETL  
mark of quality

**Easy Installation**  
No concrete pad required -  
just drop in place



**Easy Access Front Panel**  
for front servicing of the drain and  
other key components

**Before We Ship**  
we perform a double quality  
check to ensure that each  
washer is perfect right out of  
the box

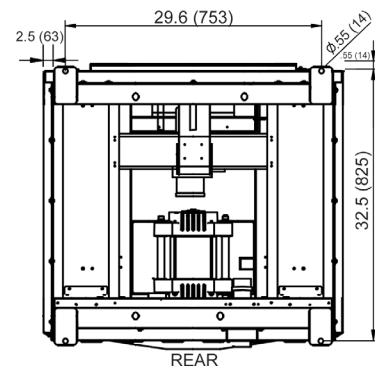
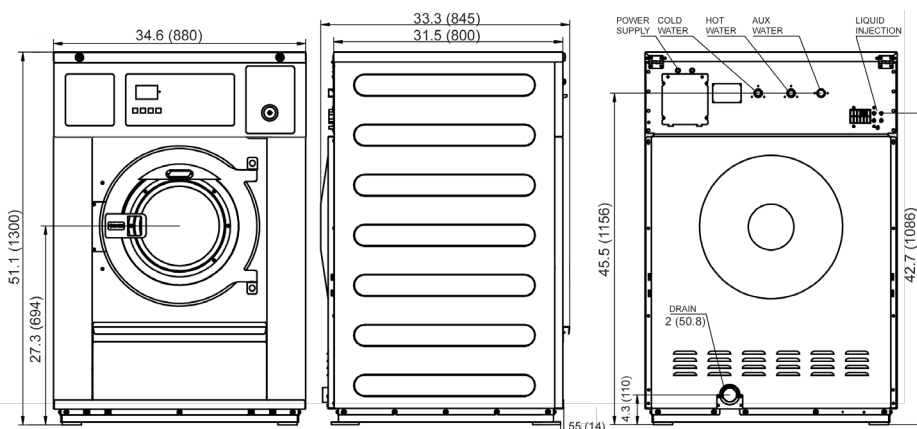
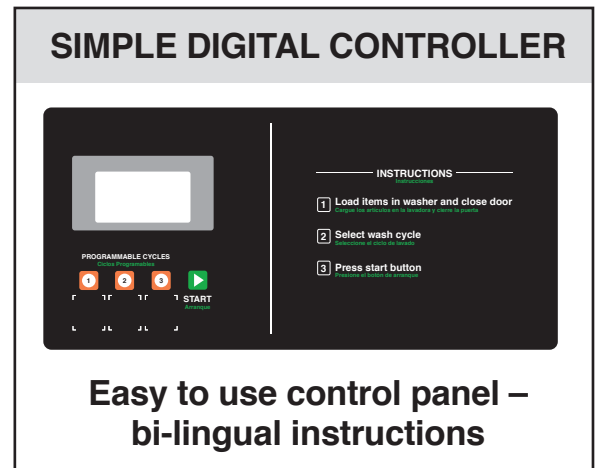
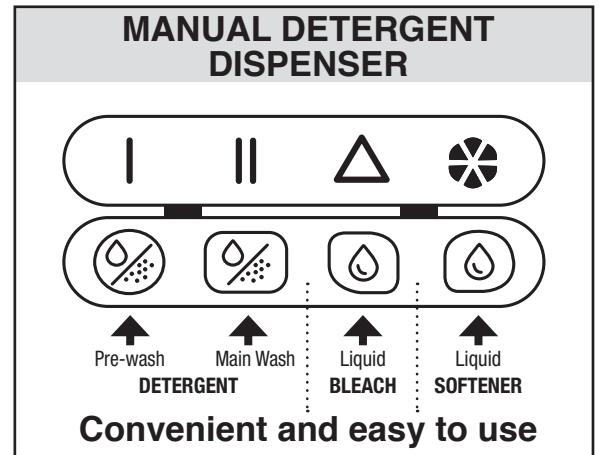


**UNITY  
LAUNDRY  
SYSTEMS**

— CARE BEYOND CLOTHES —

®/™ ©2020 Unity Laundry Systems. All rights reserved.

<b>MOTOR</b>	
Size – HP (KW)	2.4 (1.8)
<b>CAPACITY</b>	
Cylinder Volume – cu. ft. (liters)	5.5 (155.7)
Cylinder Diameter – in. (mm)	25.9 (658.6)
Cylinder Depth – in. (mm)	18.0 (457.2)
Dry Load Capacity – lb. (kg)	40 (18.1)
<b>OPERATING SPEED &amp; EXTRACT FORCE</b>	
Washing Speed (RPM)	45-50
Maximum Extract Force (G-force)	300
Maximum Extract Speed (RPM)	900
<b>CONNECTIVITY</b>	
USB Programmability	Yes
<b>DIMENSIONS</b>	
Depth – in. (mm)	34.0 (865)
Width – in. (mm)	34.6 (880)
Height – in. (mm)	51.1(1,300)
<b>CRATED DIMENSIONS</b>	
Width – in. (mm)	37.8 (960)
Depth – in. (mm)	37.8 (960)
Height – in. (mm)	60 (1,524)
<b>APPROXIMATE WEIGHT</b>	
Uncrated – lb. (kg)	661.3 (300)
Crated – lb. (kg)	705.4 (320)
<b>ELECTRICAL CONNECTION OPTIONS (VOLTS/Hz/PHASE)</b>	
208 – 240V / 50 – 60HZ / 1PH (no electrical heating)	Yes
<b>WATER HEATING OPTIONS</b>	
Hot / Cold Water Connections Only	Yes
<b>WATER, CHEMICAL DISPENSING, DRAINS</b>	
Number of Water Inlets	3
Inlet Sizes – in. (mm)	3/4 (19.0)
Manual Dispenser Compartments, Number	4
External Chemical Connections, Number	5
Dump Valve Drain Size – in. (mm)	2 (51)
<b>INSTALLATION RECOMMENDATIONS</b>	
Recommended Clearance Between Machines - in (mm)	1.5 (40)
Recommended Clearance in front of Machines - in (mm)	39.4 (1000)
Recommended Clearance Behind Machines - in (mm)	31.5 (800)



See specific instructions for proper installation. Because of continuous product improvement, Unity Laundry Systems reserves the right to change specifications without notice.

©/™ ©2020 Unity Laundry Systems. All rights reserved.



— CARE BEYOND CLOTHES —