

UNITY LAUNDRY SYSTEMS MODEL UTS40V

VENDED LAUNDRY
HIGH EFFICIENCY SOFT MOUNT
WASHER EXTRACTOR

Easy To Use Controls
with an intuitive design and
multi-lingual support

Convenient Manual Dispenser
with an easy to flush design and four compartments: pre-wash and
main wash (powder or liquid), bleach and fabric softener (liquid only)

**5 Chemical Injection
Ports**
for compatibility with
any external
automatic chemical
dosing system

Digital Coin Mechanism
for reliability and easy
programming

**Compatible with Electronic
Payment Systems**
to provide your customers with
a digital payment option

**Perfectly Tuned
Extract Performance**
with optimally
designed RPMs and
G-forces to achieve
max extraction and to
prevent unbalanced
loads

Built For A Long Life
including a stainless-steel drum
and tub, high quality bearings,
UL certified critical components,
a durable motor and the ETL
mark of quality

Easy Installation
No concrete pad required -
just drop in place



Easy Access Front Panel
for front servicing of the drain and
other key components

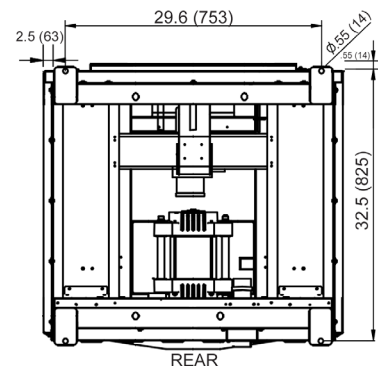
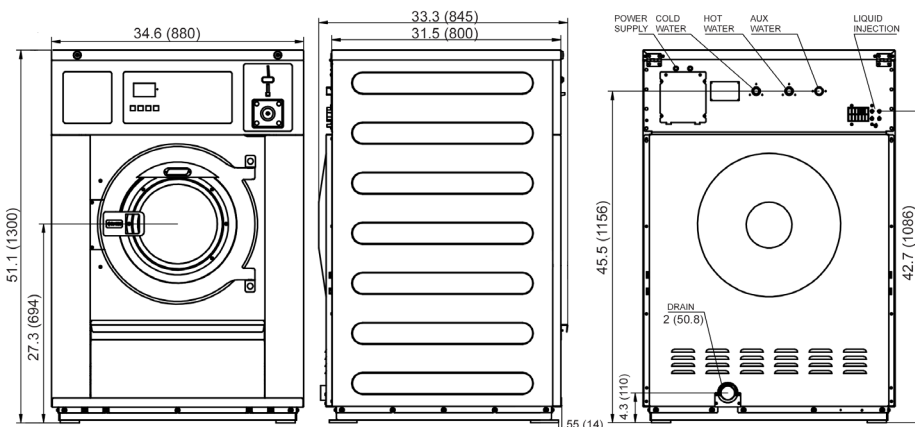
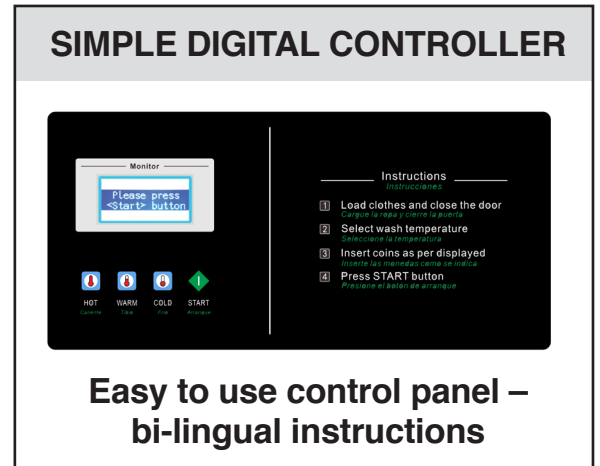
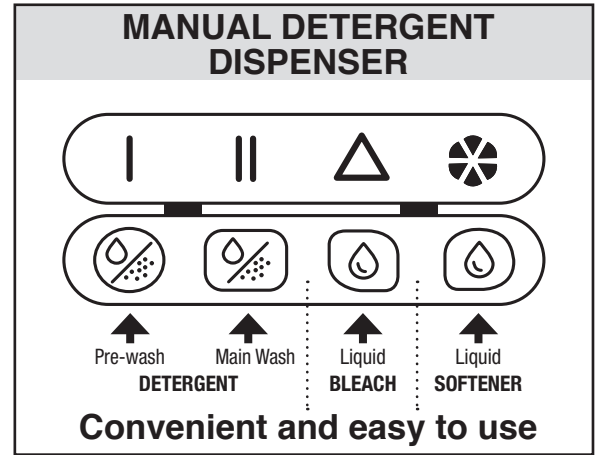
Before We Ship
we perform a double quality
check to ensure that each
washer is perfect right out of
the box



**UNITY
LAUNDRY
SYSTEMS**

— CARE BEYOND CLOTHES —

MOTOR	
Size – HP (KW)	2.4 (1.8)
CAPACITY	
Cylinder Volume – cu. ft. (liters)	5.5 (155.7)
Cylinder Diameter – in. (mm)	25.9 (658.6)
Cylinder Depth – in. (mm)	18.0 (457.2)
Dry Load Capacity – lb. (kg)	40 (18.1)
OPERATING SPEED & EXTRACT FORCE	
Washing Speed (RPM)	45-50
Maximum Extract Force (G-force)	300
Maximum Extract Speed (RPM)	900
CONNECTIVITY	
USB Programmability	Yes
DIMENSIONS	
Depth – in. (mm)	34.0 (865)
Width – in. (mm)	34.6 (880)
Height – in. (mm)	51.1(1,300)
CRATED DIMENSIONS	
Width – in. (mm)	37.8 (960)
Depth – in. (mm)	37.8 (960)
Height – in. (mm)	60 (1,524)
APPROXIMATE WEIGHT	
Uncrated – lb. (kg)	661.3 (300)
Crated – lb. (kg)	705.4 (320)
ELECTRICAL CONNECTION OPTIONS (VOLTS/Hz/PHASE)	
208 – 240V / 50 – 60HZ / 1PH (no electrical heating)	Yes
WATER HEATING OPTIONS	
Hot / Cold Water Connections Only	Yes
WATER, CHEMICAL DISPENSING, DRAINS	
Number of Water Inlets	3
Inlet Sizes – in. (mm)	3/4 (19.0)
Manual Dispenser Compartments, Number	4
External Chemical Connections, Number	5
Dump Valve Drain Size – in. (mm)	2 (51)
INSTALLATION RECOMMENDATIONS	
Recommended Clearance Between Machines - in (mm)	1.5 (40)
Recommended Clearance in front of Machines - in (mm)	39.4 (1000)
Recommended Clearance Behind Machines - in (mm)	31.5 (800)



See specific instructions for proper installation. Because of continuous product improvement, Unity Laundry Systems reserves the right to change specifications without notice.

©/™ ©2020 Unity Laundry Systems. All rights reserved.



— CARE BEYOND CLOTHES —